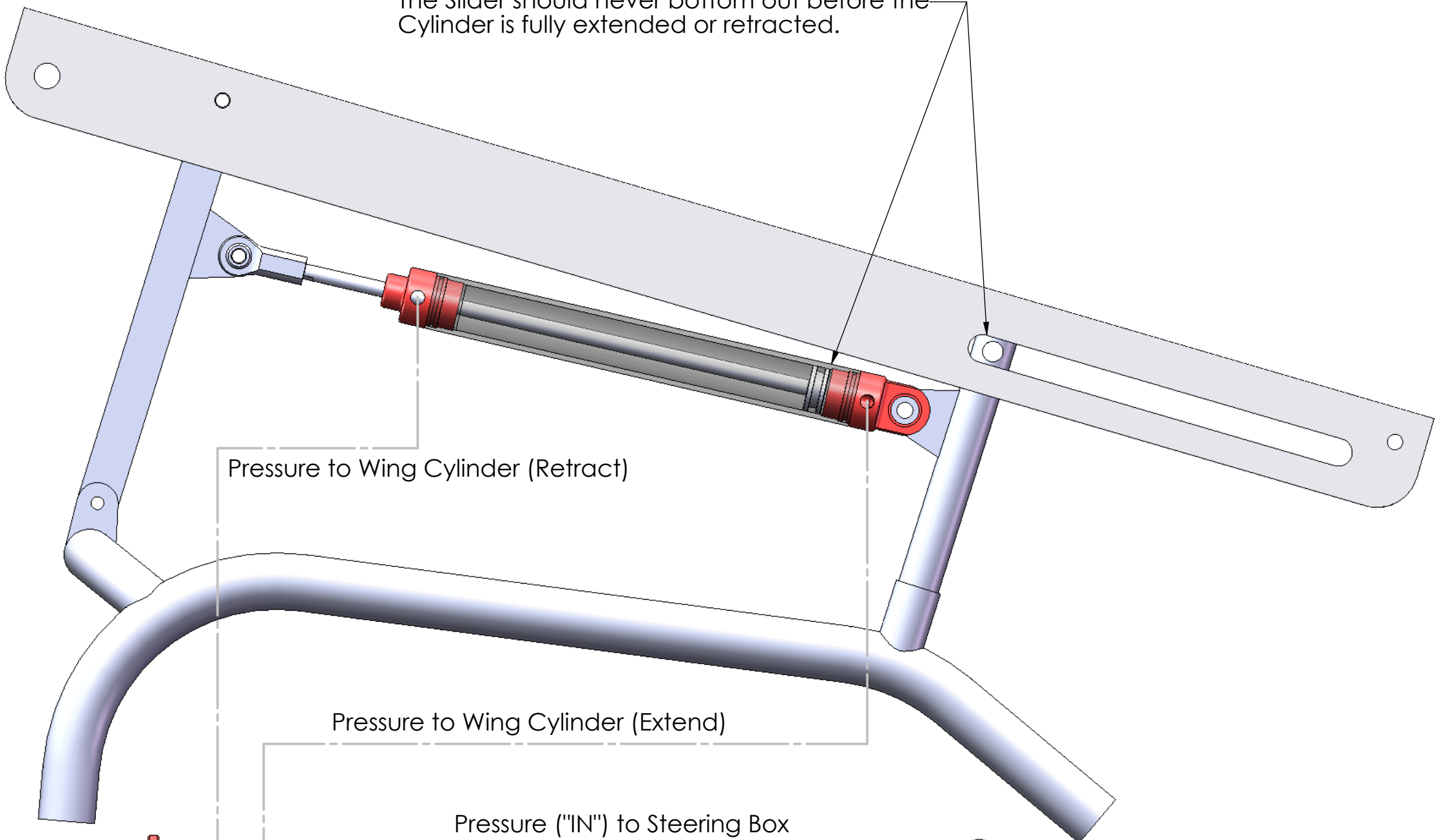


The Slider should never bottom out before the Cylinder is fully extended or retracted.



Pressure to Wing Cylinder (Retract)

Pressure to Wing Cylinder (Extend)

Pressure ("IN") to Steering Box

Return ("OUT") to Tank

Pressure to Wing Valve

Feed Line to Pump

