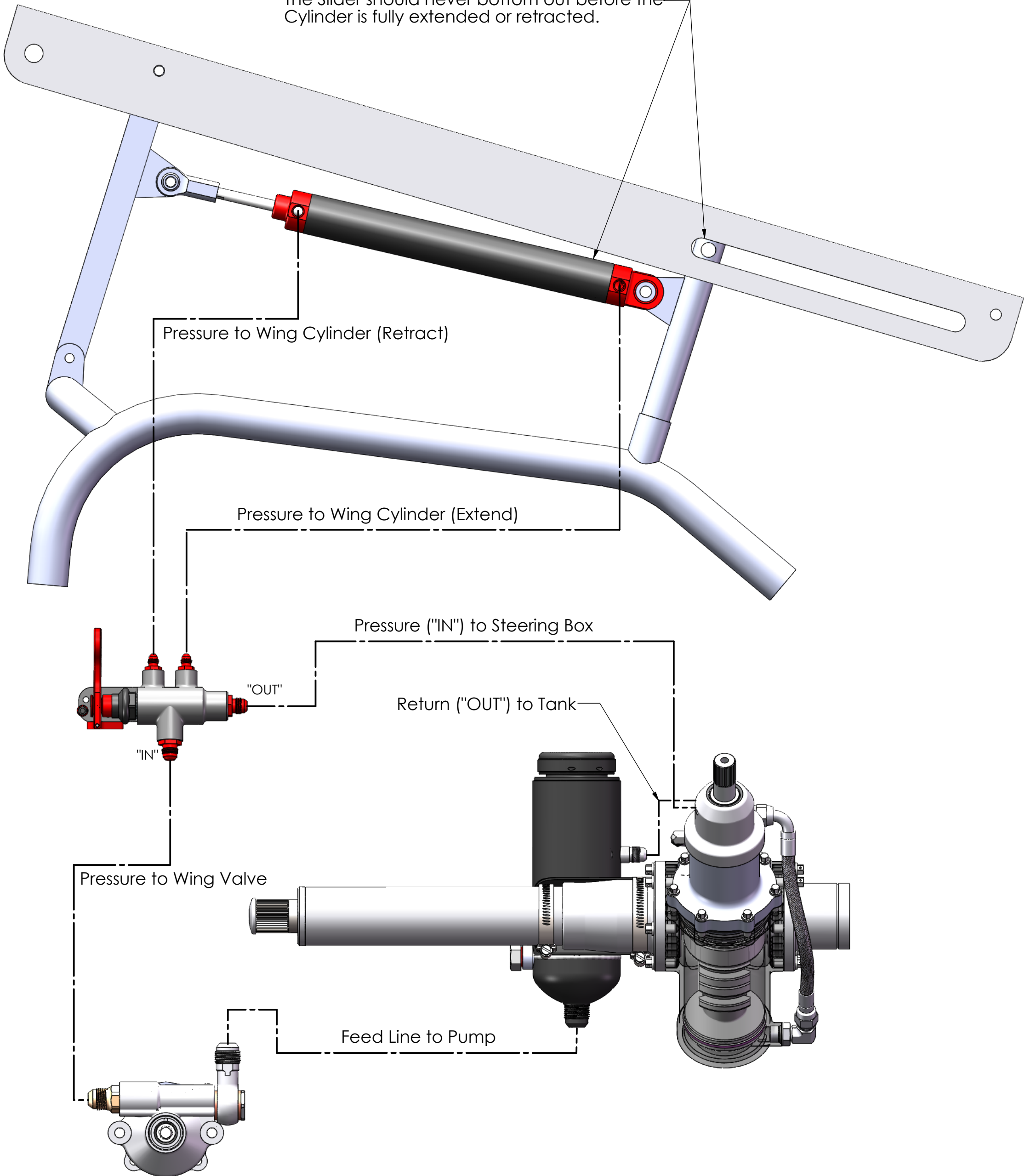


The Slider should never bottom out before the Cylinder is fully extended or retracted.



The Slider should never bottom out before the Cylinder is fully extended or retracted.

